



DATASHEET

RA 38

IN-LINE ACTUATOR SERIES



COMPACT SIZE

HIGH LIFTING FORCE

EQUAL PUSH / PULL FORCE

EASY MOUNTING

ELEGANT DESIGN

MAINTENANCE FREE

OVERCURRENT PROTECTION

EXTREMELY QUIET OPERATION

CUSTOMIZABLE

SAFE & EASY

RA38 Linear Actuator offers reliability and accuracy packaged in a lightweight and easily integrable solution.

RA38 features a stylish design with drive technology enabling level operation whether it be for tilting, lifting, pulling, or pushing up to 2000N. The balance of being lightweight and highly accurate are valuable characteristics for any application.

Main Features

- Power supply: 24 VDC
- Max. load: 2000 N (push/pull)
- Max. speed: 7.3 mm/s
- Min. built-in dimension: 156 mm +stroke
- Strokes: 10 - 100 mm
- Duty cycle: 10% (2 min. in use followed by 18 min. in rest)
- Aluminum housing
- Stainless steel piston rod
- Overcurrent protection
- Protection class: IP54
- Standard color: anodized black

Applications

- Powered wheelchairs
- Battery-operated medical equipment
- Ergonomic medical furniture
- Robotics
- Safety equipment
- Household automation equipment
- Automotive
- Industrial automation

Customizable

- Stroke lengths
- Built-in dimensions
- Position control
- Anodized colors
- Connectors
- Cable lengths
- Front / rear brackets

Technical Specifications

Specifications	RA 38 1000N	RA 38 2000N
Max. Load	1000 N at 5mm/s	2000 N at 2.5mm/s
Lead	4,5 mm	2 mm
Max. Speed (no load)	7.3 mm/s	3.4 mm/s
Max. Current	1.6 A	1.9 A
Starting Current	3.5 A	3.5 A
Power Supply	24 VDC	
IP Rating	IP 54	
Weight	600 - 700 g	
Housing material	Aluminum	
Rod material	Polished Stainless Steel	
Color	Anodized black (RAL 9005)	
Operating Temperature	+5°C to +40°C	
Storage Temperature	-30°C to + 70°C	
Duty Cycle	10 % (2 min out of 18 min)	
Strokes	10 - 100 mm	
Lifetime	30.000 cycles at rated load	
Overcurrent protection	3 A	

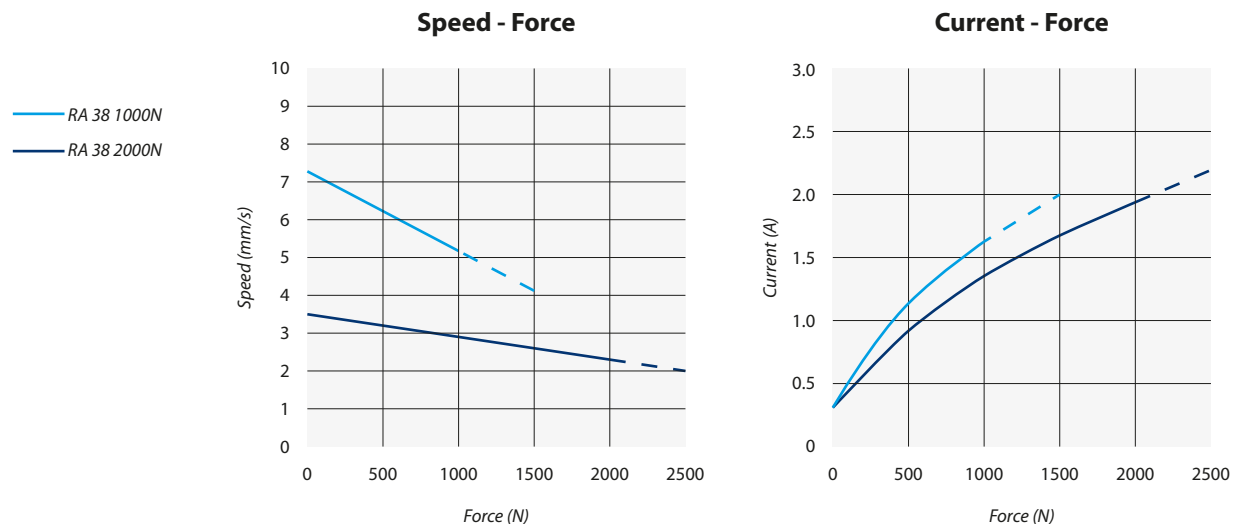


Overcurrent Protection

In the event of an obstruction in the mechanism or an excessive load, the overcurrent protection feature will trip out the current at 3 A thereby protecting the actuator.

Force, speed and current

	Force (N)	No load	500 N	1000 N	1500 N	2000 N	2500 N
RA 38 1000N	Average Current (A)	0.3	1.1	1.6	2.0	-	-
	Speed (mm/s)	7.3	6.2	5.1	4.4	-	-
RA 38 2000N	Average Current (A)	0.3	0.9	1.3	1.7	1.9	2.2
	Speed (mm/s)	3.4	3.2	3.0	2.7	2.5	2.2



Use in the dashed area is not recommended.
The above figures are with a room temperature of 20°C.

Standard Configurations

Available strokes-BID	RA 38 1000			RA 38 2000				
Strokes (mm)	37	73	100	37	50	73	80	100
Min. Built-in Dimension (mm)	230	230	256	230	276	230	276	296

Standard Options

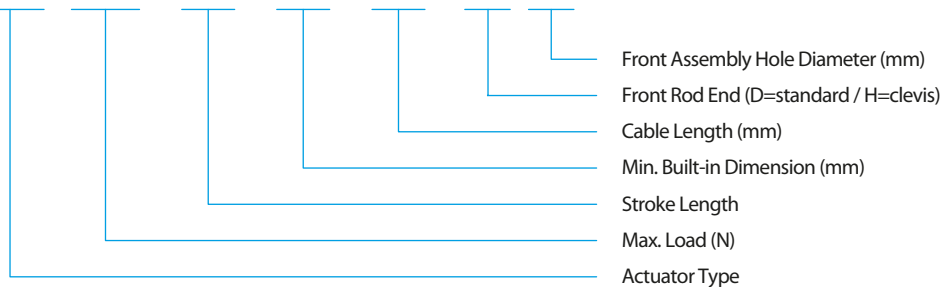
Min. Built-in Dimension	156 mm + stroke
Cable Length	150, 500 mm
Rear Mounting Hole	8.1 mm
Front Bracket	Standard (8.1 mm) or Clevis (10.1 mm)
Connector	Molex 39-01-2066
Color	Anodized black

Customizable upon request

- Stroke lengths
- Built-in dimensions
- Anodized colors
- Connectors
- Cable lengths
- Front/rear brackets

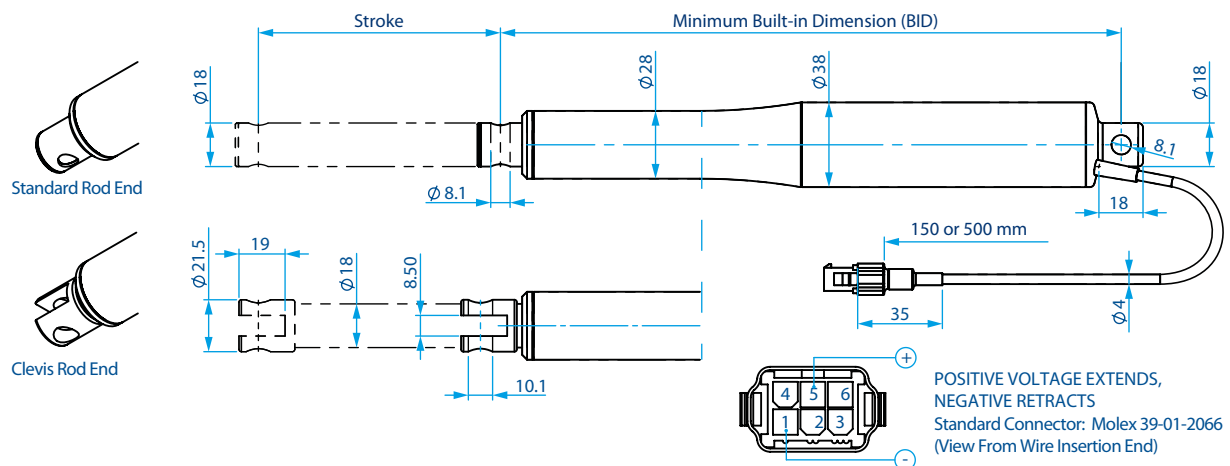
Ordering Example

RA 38 2000 . 80 . 276 . 150 . D 8



Please contact
info@regner.es
 for customized
 configurations.

Dimensions (mm)



Quality

Forging ahead to achieve high quality

- We apply high quality components, semi-automatic production and rigorous testing to verify and validate each motion control solution before leaving our premises. Our continuously audited management systems ensure optimized agile manufacturing. All these measures make for high quality products.

RA 38 Quality control

- Every single RA 38 goes through a strict quality control before leaving production in order to guarantee an optimum performance and durability.

Certifications

- ISO 9001 : 2008 *Quality management*
- ISO 14001 : 2004 *Environmental management system*
- ISO 13485 : 2012 *Medical devices*

Quiet
Safe
Durable
Easy
Efficient
Powerful
Elegant
Customizable

